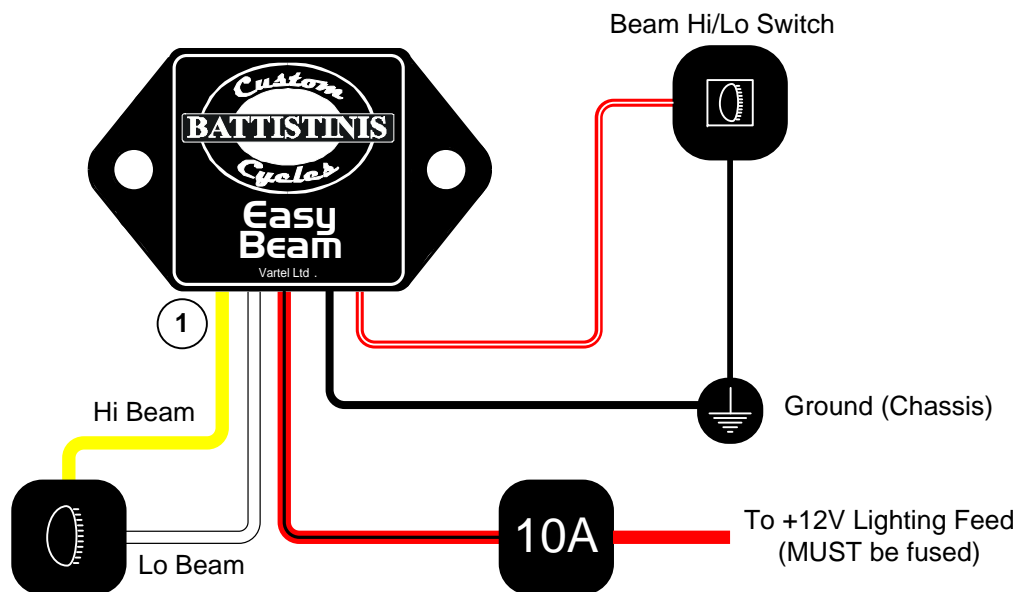




Easy Beam™

Installation Information



Please Note

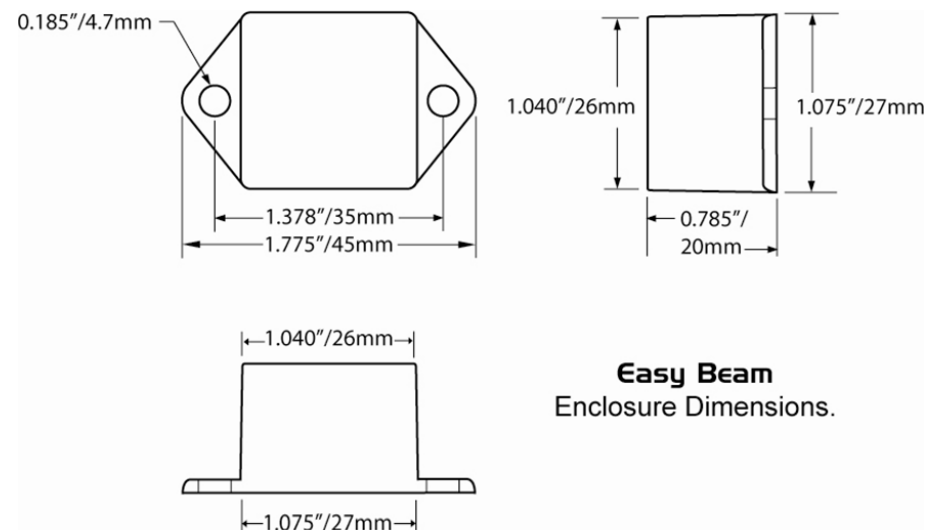
For the sake of clarity this diagram does not show all chassis/earth points and assumes the installer is familiar with standard automotive wiring practices.

If you are at all unsure about your wiring skills, or any other aspect of the installation, we strongly recommend you seek the advice of a qualified automotive technician before commencing any work.

Wire ID's are drawn from left to right, 1-5.

All wire lengths 12.5"/320mm approx.

ID	Colour	Tracer	Function	Description
1	Yellow	NA	Beam	Headlamp Hi Beam
2	White	NA	Dip	Headlamp Lo Beam
3	Red	Black	Light Supply	3rd Key Position/Light Fuse
4	Black	NA	Gnd	Unit Ground
5	Red	White	Hi/Lo Switch	Handlebar Momentary Switch



Easy Beam
Enclosure Dimensions.

Vartel Ltd - Issue 1.1

Batt Boyz Ltd

Unit B, 107 Southwick Road
Southbourne, Bournemouth
Dorset. BH6 5PS
UK

Tel: +44 (0)1202 432127
Fax: +44 (0)1202 418335
e-mail: mark@battistinis.co.uk (sales)
tech@battistinis.co.uk (tech)
Web: www.battistinis.co.uk

